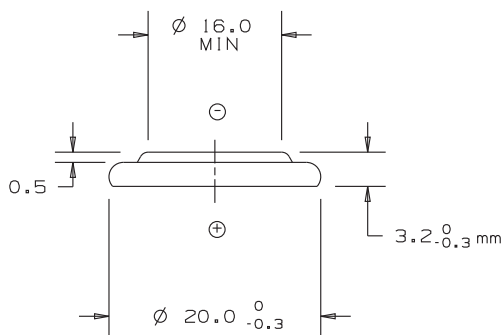




# Kodak Lithium Battery

# KCR2032

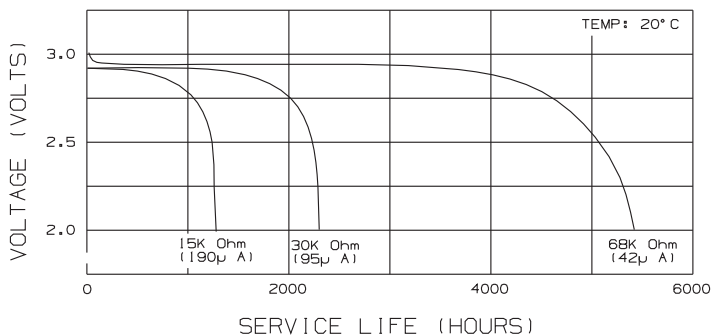
Effective : July 2003



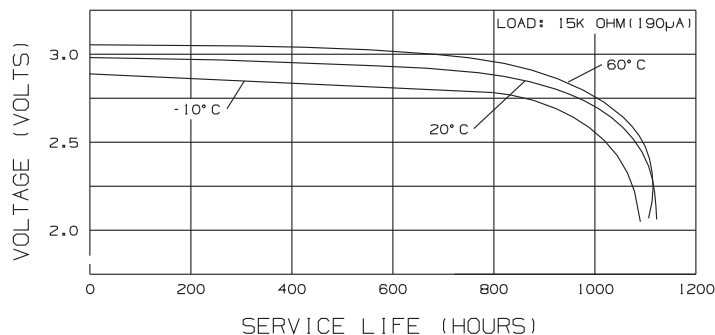
System:	Lithium/Manganese Dioxide, Li/MnO <sub>2</sub>
Designation:	ANSI 5004LC, IEC CR2032
Nominal Voltage:	3.0 Volts
Capacity:	230 mAh @ 5.6 KOhms to 2.0 Volts
Maximum Discharge:	0.20 mA Continuous, 15 mA Pulse
Temperature Range:	-20°C to 60°C Operating -20°C to 45°C Storage
Average Weight:	3.0 grams
Volume:	0.95 cm <sup>3</sup>
Terminals:	Flat Contacts
Jacket:	None
Lithium Content:	<0.5 grams/Battery

NOTE: 1) This battery complies with ANSI C18, IEC 60086, & EEC directive 91/157 standards.

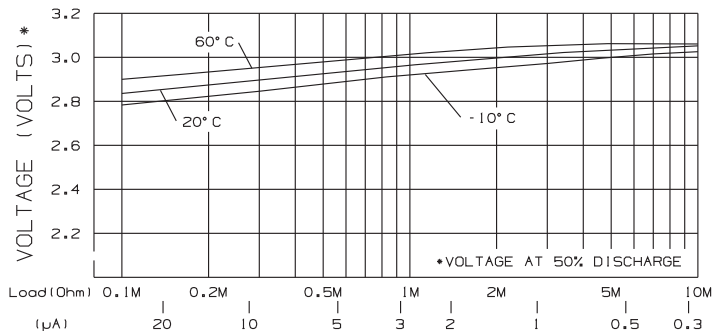
### Typical Load Characteristics KCR2032



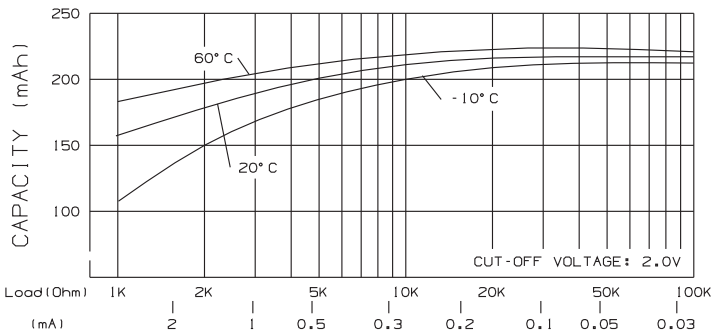
### Typical Temperature Characteristics KCR2032



### Operating Voltage v/s Load Resistance KCR2032



### Capacity v/s Load Resistance KCR2032



The curves and data in this publication represent product tested under the conditions specified. They do not represent standards or specifications which must be met by Eastman Kodak Company. The company reserves the right to change and improve product characteristics at any time.

For more information, contact  
EASTMAN KODAK COMPANY  
343 State Street  
Rochester, New York 14650-0811  
1-800-242-2424  
[www.kodak.com/go/batteries](http://www.kodak.com/go/batteries)